

MENABO

free time on the move

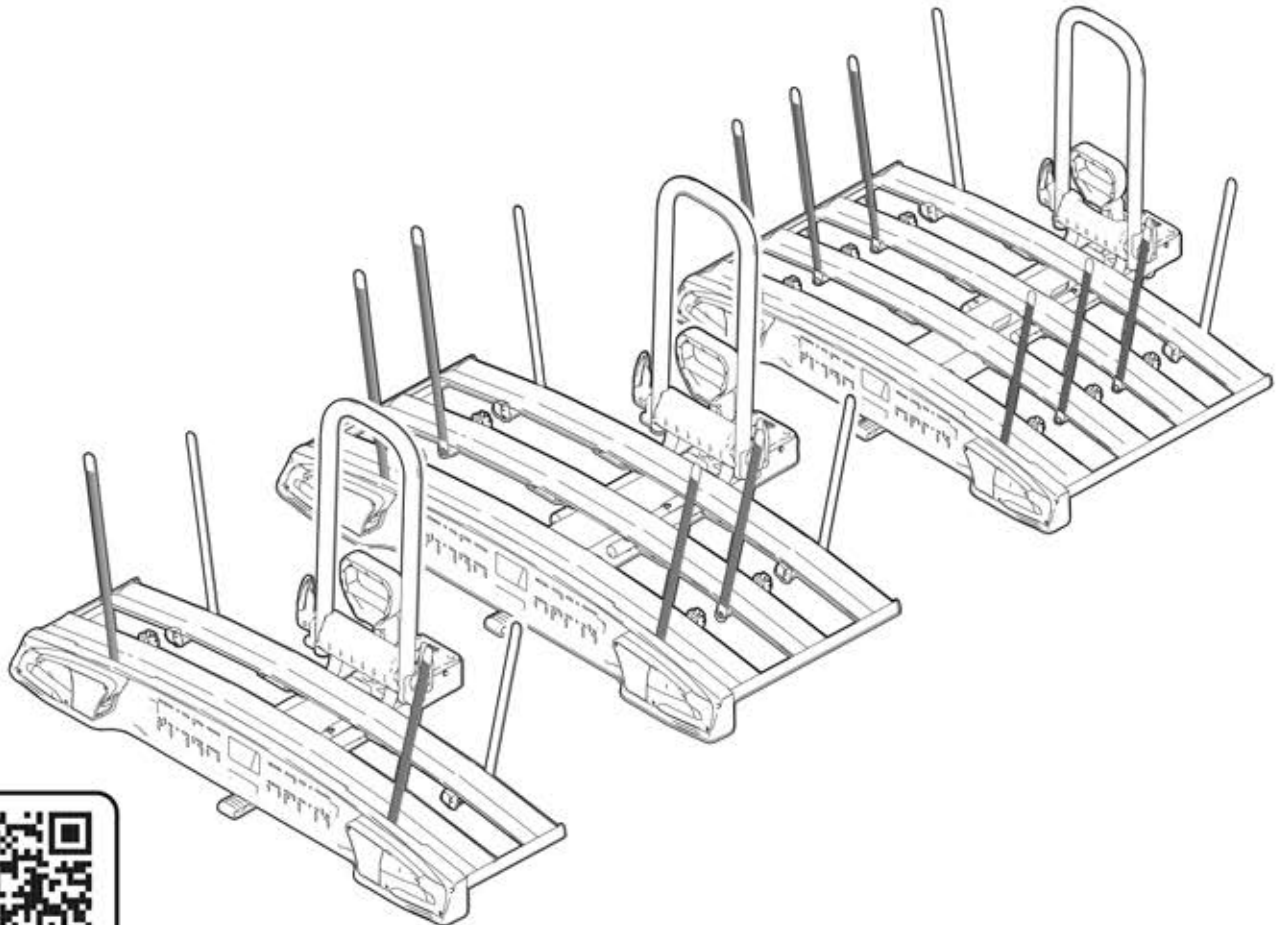
ALCOR 2
ALCOR 3
ALCOR 4

ACRUX 2
ACRUX 3
ACRUX 4

IT Istruzioni di montaggio
EN Fitting instructions
DE Montageanleitung
FR Instructions de montage
ES Instrucciones de montaje
BG инструкции за сглобяване
CS Návod na montáž
DA Monteringsvejledning
EL Οδηγίες συναρμολόγησης

ET Paigaldusjuhend
FI Asennusohje
HR Uputa za sastavljanje
HU A felszerelés módja
LT Pritvirtinimo instrukcijos
LV Stiprināšanas instrukcija
NL Instrukcja montażu
NO Monteringsveiledning
PL Instrukcja montażu

PT Instruções de Montagem
RO Instrucțiuni de montare
RU Инструкции по установке
SK Návod na montáž
SL Navodila za pritrjevanje
SV Monteringsanvisning
TK Uydurma talimat
ZH 裝修指導
AR تعليمات التجميل



Made in Italy



**ALCOR 2
ACRUX 2**

| N | (IT)Componenti (Inclusi) (EN)Components (Included) (FR)Composants (Comprises) | (DE)Die Komponenten (im Lieferumfang enthalten) (ES)Componentes (Incluido) | Q |
|----|---|---|---|
| 1a | | | 1 |
| 2 | | | 1 |
| 3 | | M6x30 | 2 |
| 4 | | | 1 |
| 5 | | | 1 |
| 6 | | | 6 |
| 7 | | | 1 |
| 8 | | 2,5m/8ft | 1 |
| 12 | | 5mm/0.2" | 1 |
| 13 | | M6 | 2 |
| 14 | | XXXX | 2 |

| N | (IT)Ricambi (A Richiesta) (EN)Spare Parts (Made to order) (FR)Pièces de rechange (Sur commande) | (DE)Teile (auf Anfrage) (ES)Piezas de recambio (Previa solicitud) | Q | Codice-Code-Código |
|----|---|--|---|--------------------|
| 2 | | | 1 | 700036300000 |
| 3 | | M6x30 | 2 | |
| 13 | | M6 | 2 | |
| 4 | | | 1 | 700003200000 |
| 5 | | | 1 | 700003100000 |
| 6 | | | 2 | 700024000000 |
| 7 | | | 1 | 700033600000 |
| 8 | | 2,5m/8ft | 1 | 700001100000 |
| 10 | | dx | 1 | 700033700000 |
| 11 | | sx | 1 | 700033800000 |
| 12 | | 5mm/0.2" | 1 | 700025000000 |

**ALCOR 3
ACRUX 3**

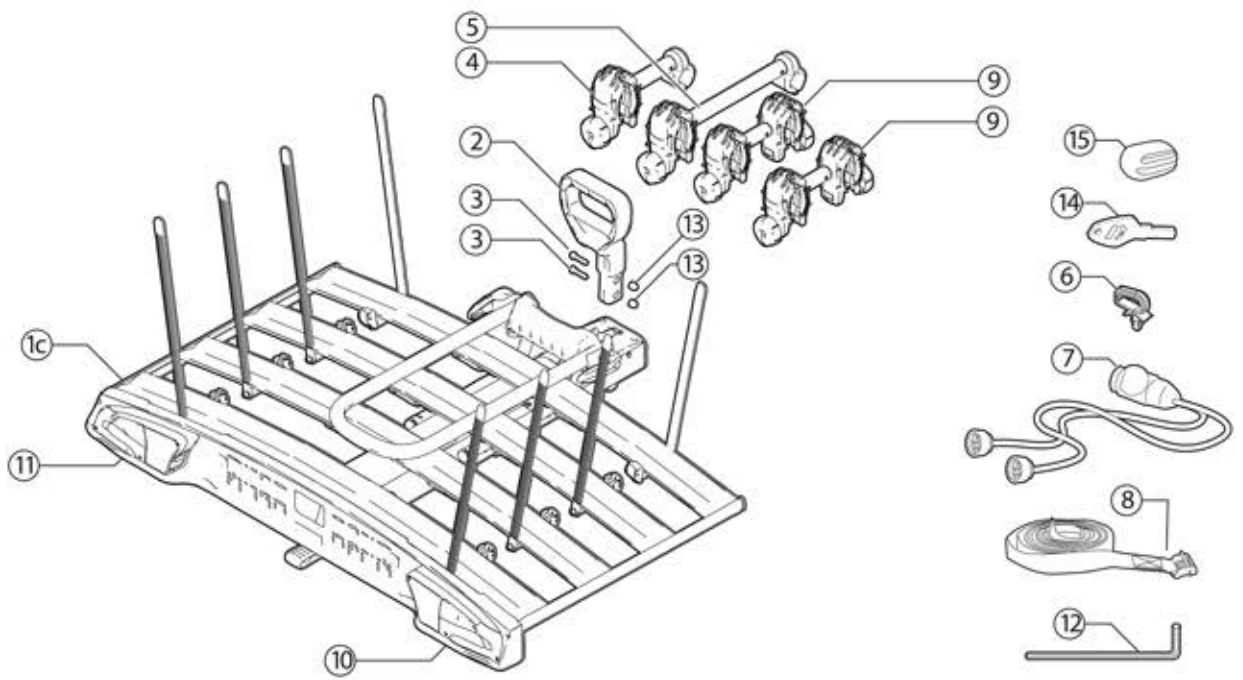
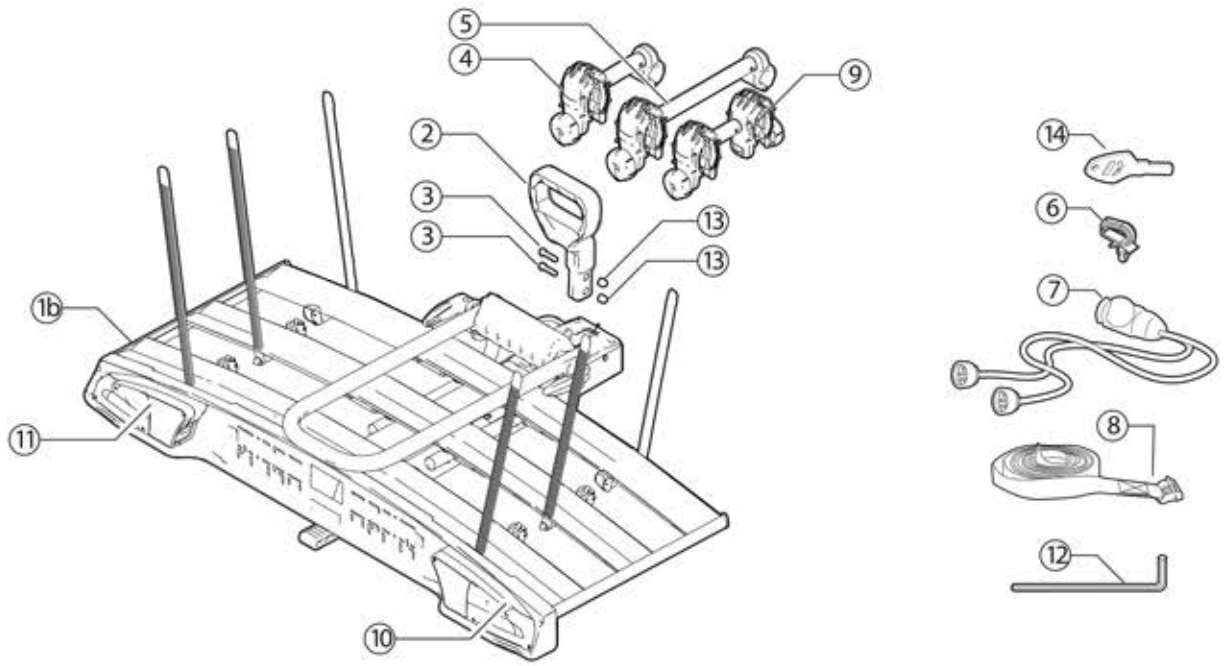
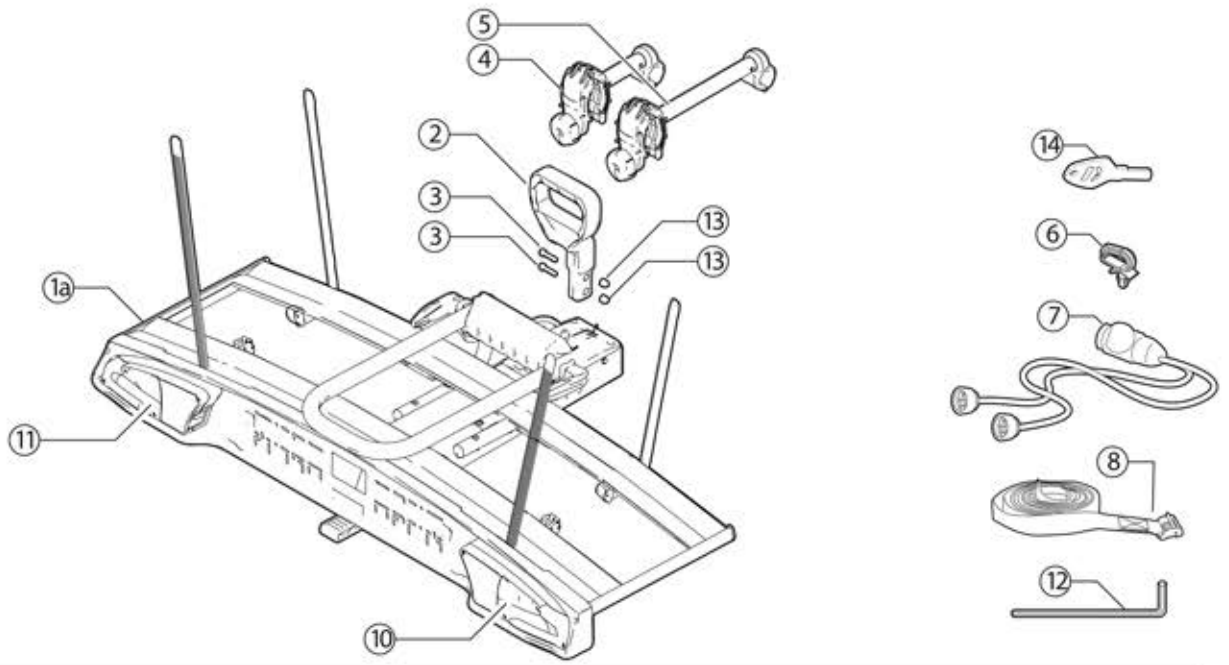
| N | (IT)Componenti (Inclusi) (EN)Components (Included) (FR)Composants (Comprises) | (DE)Die Komponenten (im Lieferumfang enthalten) (ES)Componentes (Incluido) | Q |
|----|---|---|---|
| 1b | | | 1 |
| 2 | | | 1 |
| 3 | | M6x30 | 2 |
| 4 | | | 1 |
| 5 | | | 1 |
| 9 | | | 1 |
| 6 | | | 6 |
| 7 | | | 1 |
| 8 | | 2,5m/8ft | 1 |
| 12 | | 5mm/0.2" | 1 |
| 13 | | M6 | 2 |
| 14 | | XXXX | 2 |

| N | (IT)Ricambi (A Richiesta) (EN)Spare Parts (Made to order) (FR)Pièces de rechange (Sur commande) | (DE)Teile (auf Anfrage) (ES)Piezas de recambio (Previa solicitud) | Q | Codice-Code-Código |
|----|---|--|---|--------------------|
| 2 | | | 1 | 700036300000 |
| 3 | | M6x30 | 2 | |
| 13 | | M6 | 2 | |
| 4 | | | 1 | 700003200000 |
| 5 | | | 1 | 700003100000 |
| 9 | | | 1 | 700006900000 |
| 6 | | | 2 | 700024000000 |
| 7 | | | 1 | 700033600000 |
| 8 | | 2,5m/8ft | 1 | 700001100000 |
| 10 | | dx | 1 | 700033700000 |
| 11 | | sx | 1 | 700033800000 |
| 12 | | 5mm/0.2" | 1 | 700025000000 |

**ALCOR 4
ACRUX 4**

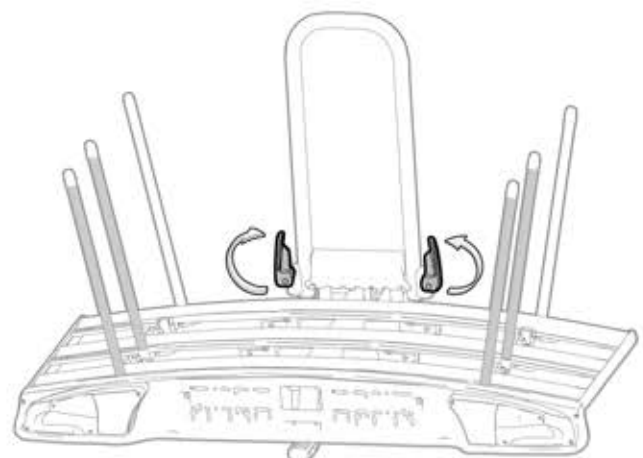
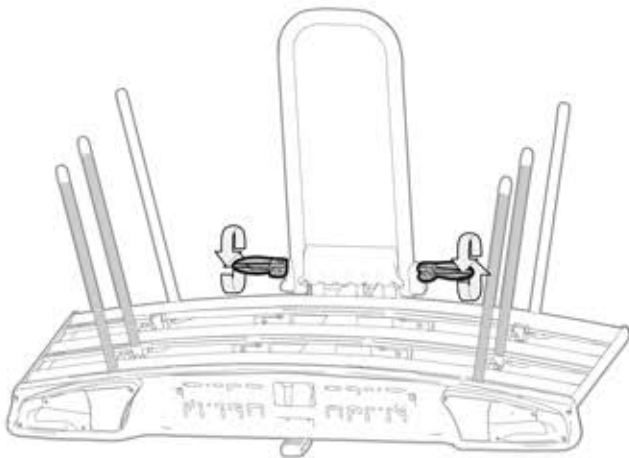
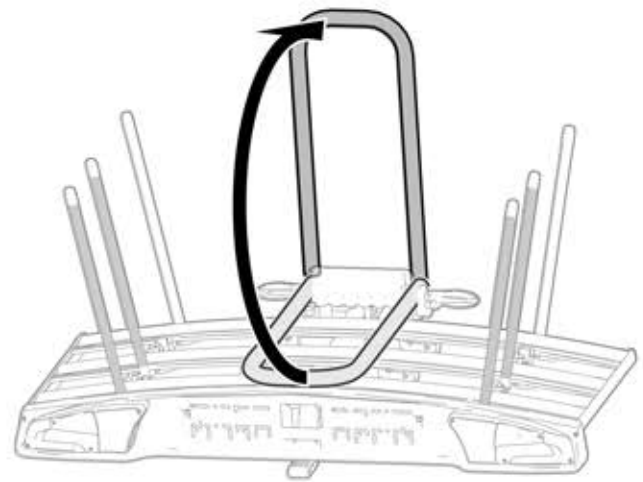
| N | (IT)Componenti (Inclusi) (EN)Components (Included) (FR)Composants (Comprises) | (DE)Die Komponenten (im Lieferumfang enthalten) (ES)Componentes (Incluido) | Q |
|----|---|---|---|
| 1c | | | 1 |
| 2 | | | 1 |
| 3 | | M6x30 | 2 |
| 4 | | | 1 |
| 5 | | | 1 |
| 9 | | | 2 |
| 6 | | | 6 |
| 7 | | | 1 |
| 8 | | 2,5m/8ft | 3 |
| 12 | | 5mm/0.2" | 1 |
| 13 | | M6 | 2 |
| 14 | | XXXX | 2 |
| 15 | | | 2 |

| N | (IT)Ricambi (A Richiesta) (EN)Spare Parts (Made to order) (FR)Pièces de rechange (Sur commande) | (DE)Teile (auf Anfrage) (ES)Piezas de recambio (Previa solicitud) | Q | Codice-Code-Código |
|----|---|--|---|--------------------|
| 2 | | | 1 | 700036300000 |
| 3 | | M6x30 | 2 | |
| 13 | | M6 | 2 | |
| 4 | | | 1 | 700003200000 |
| 5 | | | 1 | 700003100000 |
| 9 | | | 2 | 700006900000 |
| 6 | | | 2 | 700024000000 |
| 7 | | | 1 | 700033600000 |
| 8 | | 2,5m/8ft | 1 | 700001100000 |
| 10 | | dx | 1 | 700033700000 |
| 11 | | sx | 1 | 700033800000 |
| 12 | | 5mm/0.2" | 1 | 700025000000 |
| 15 | | | 4 | 700002600000 |



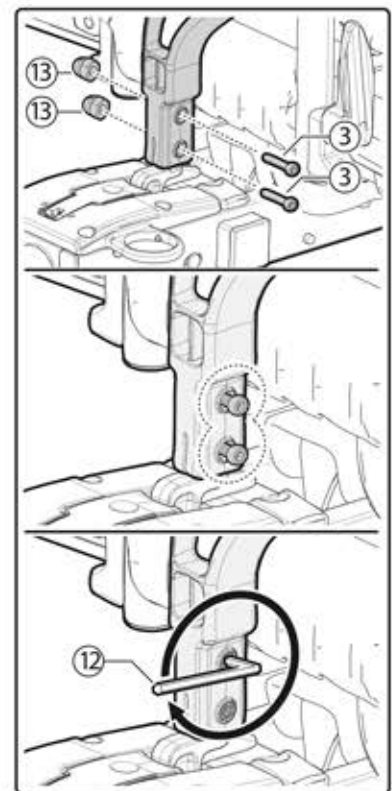
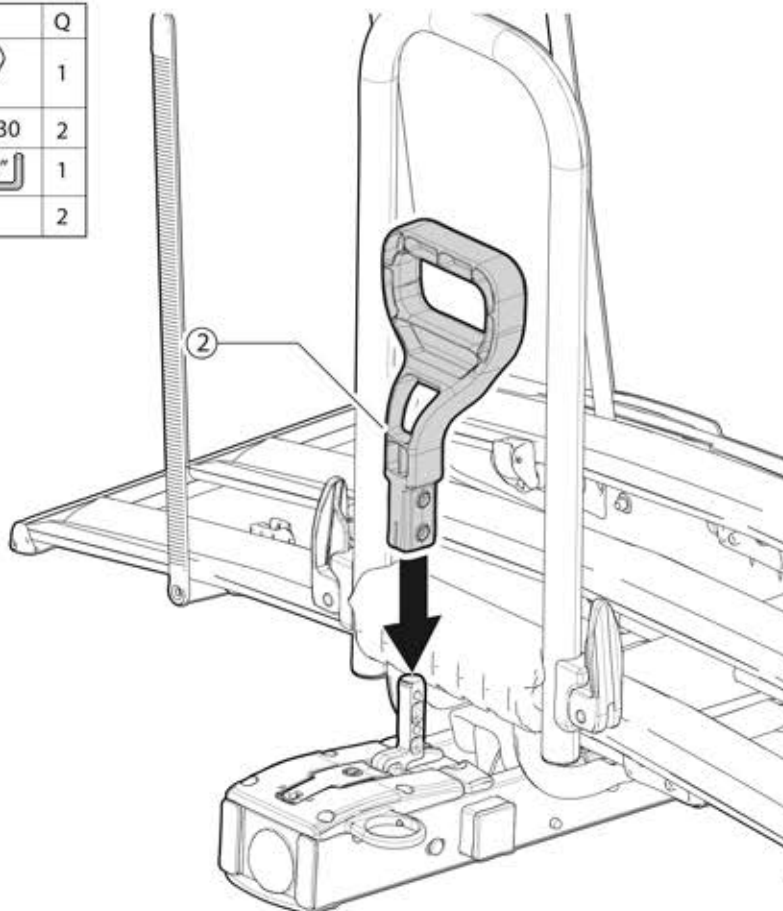
①—ALCOR 2-/ALCOR 3/ALCOR 4/ACRUX 2/ACRUX 3/ACRUX 4—

| N | | Q |
|----|--|---|
| 1a | | 1 |
| 1b | | |
| 1c | | |

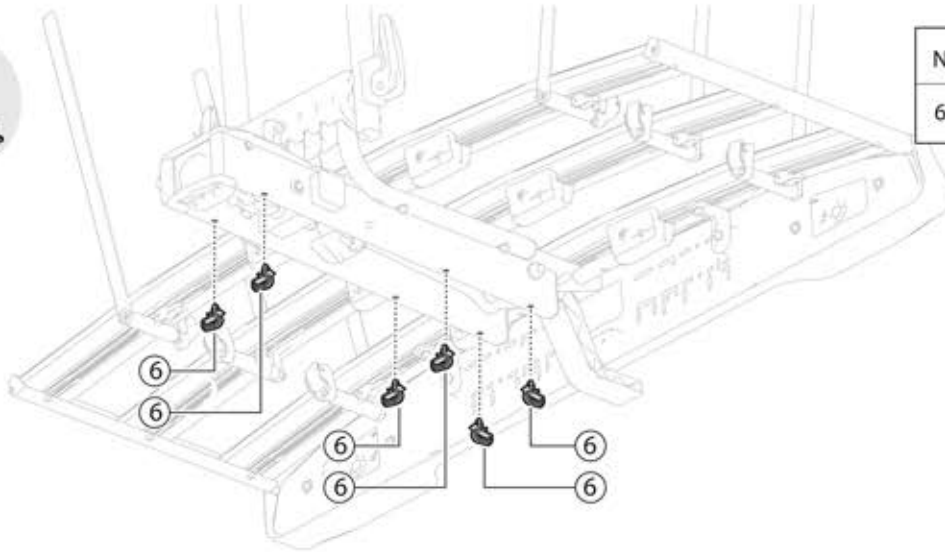


②—ALCOR 2-/ALCOR 3/ALCOR 4/ACRUX 2-/ACRUX 3/ACRUX 4—

| N | | Q |
|----|--|---|
| 2 | | 1 |
| 3 | | 2 |
| 12 | | 1 |
| 13 | | 2 |

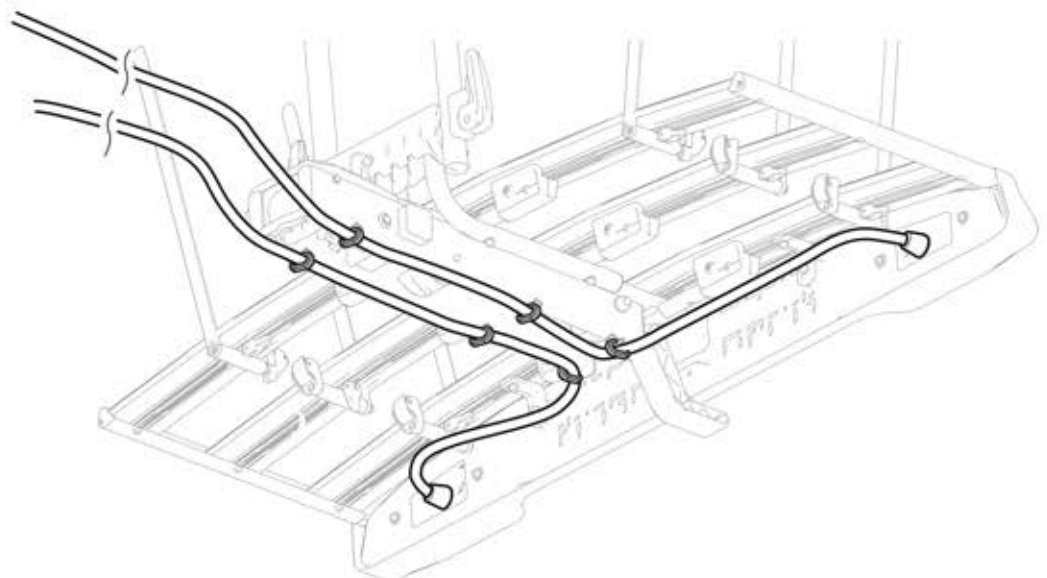
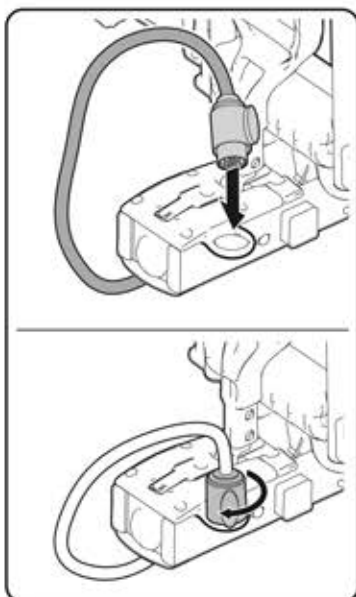
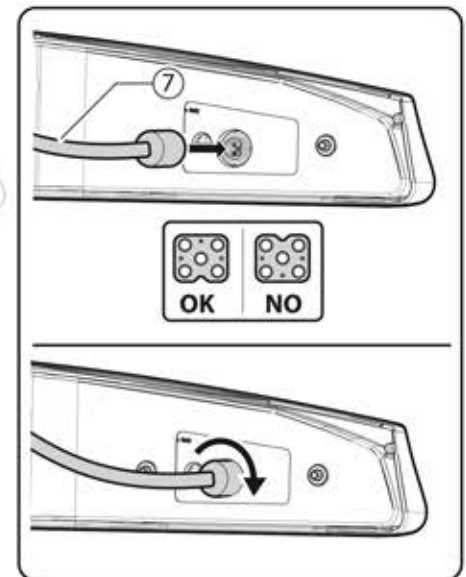
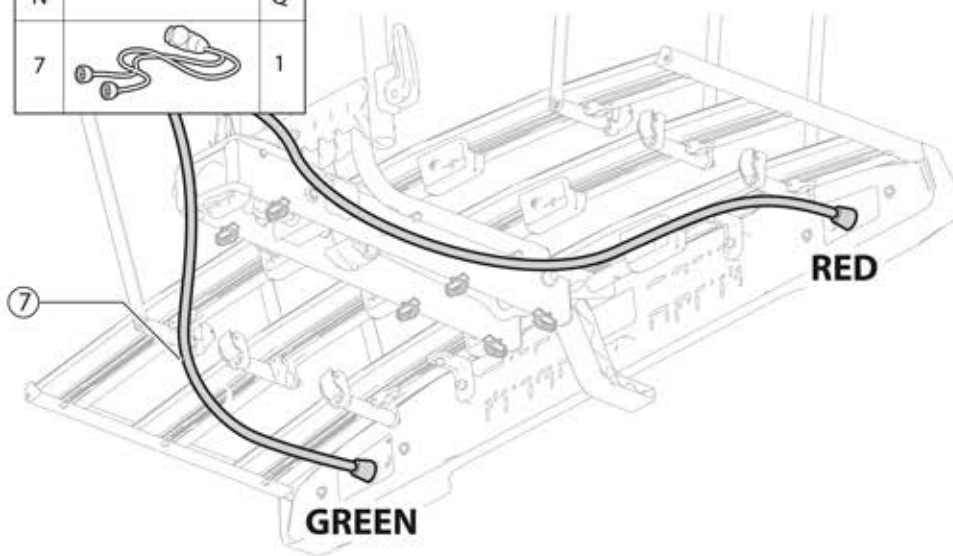


③—ALCOR 2 / ALCOR 3 / ALCOR 4 / ACRUX 2 / ACRUX 3 / ACRUX 4





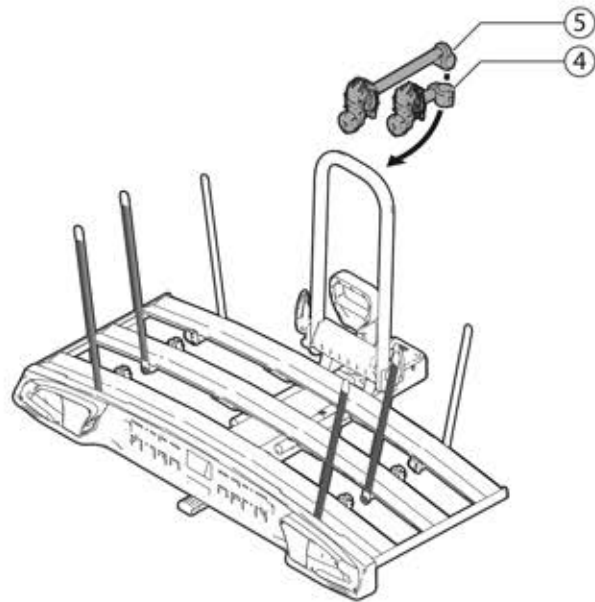
| | | |
|---|--|---|
| N | | Q |
| 6 | | 6 |

| | | |
|---|--|---|
| N | | Q |
| 7 | | 1 |

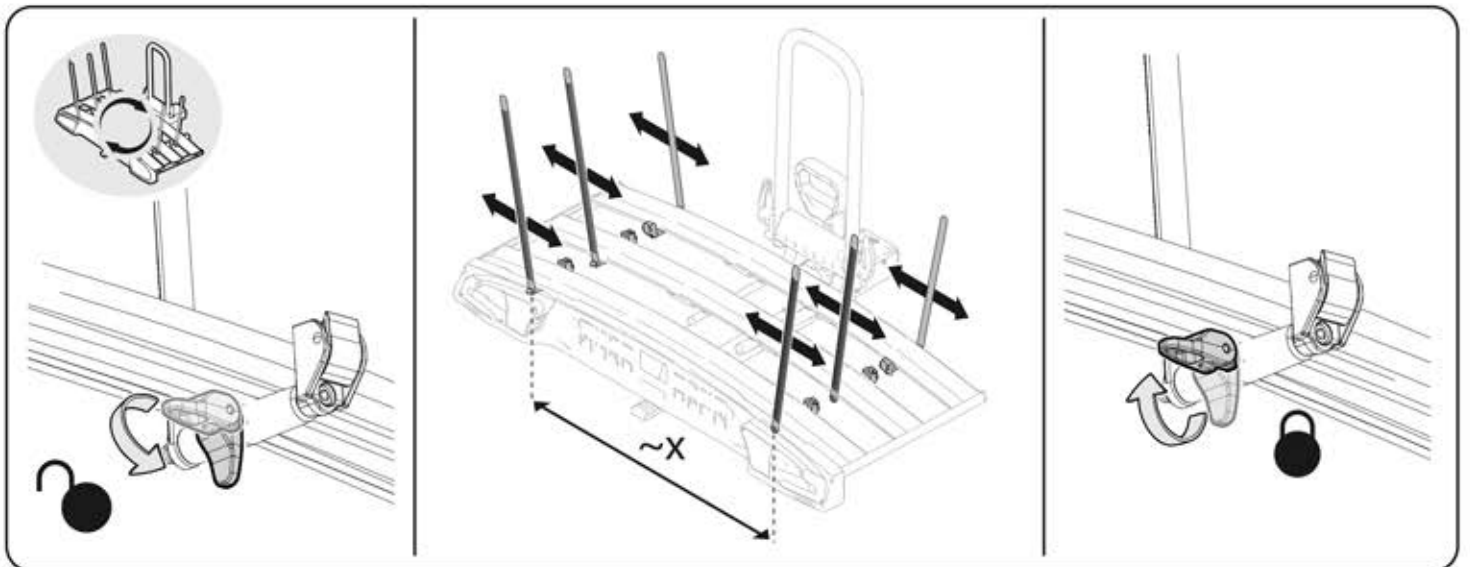
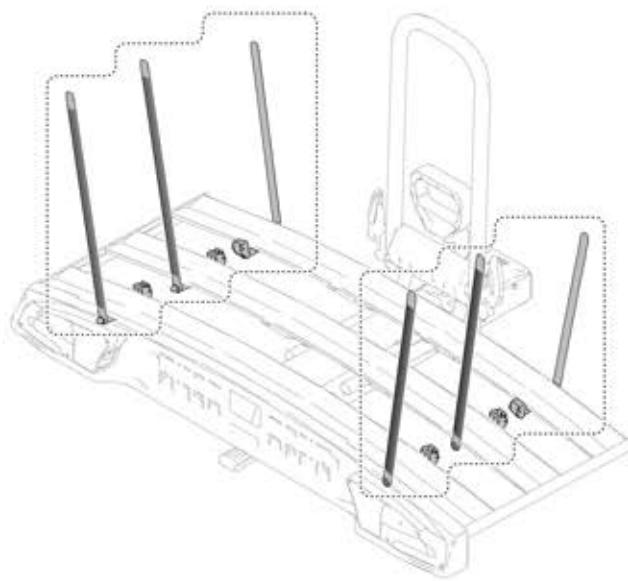


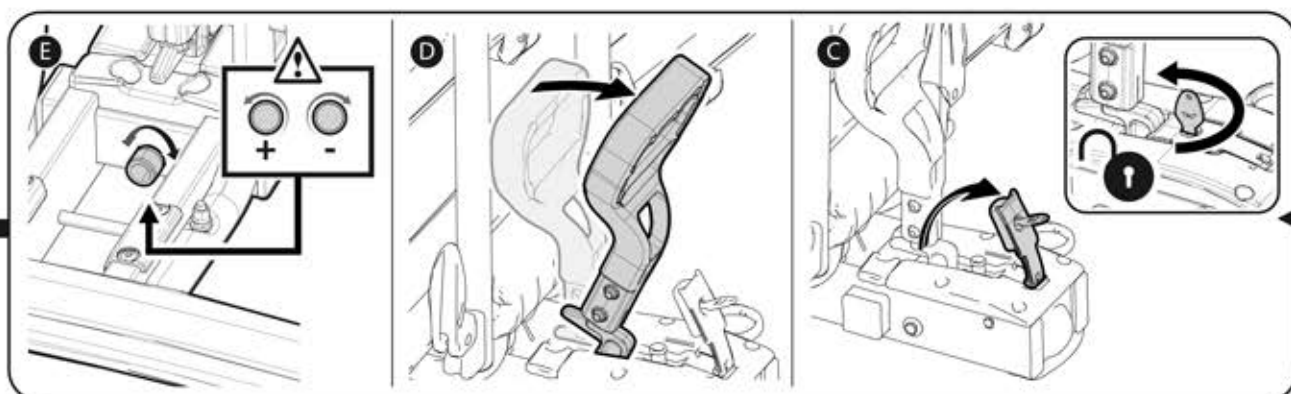
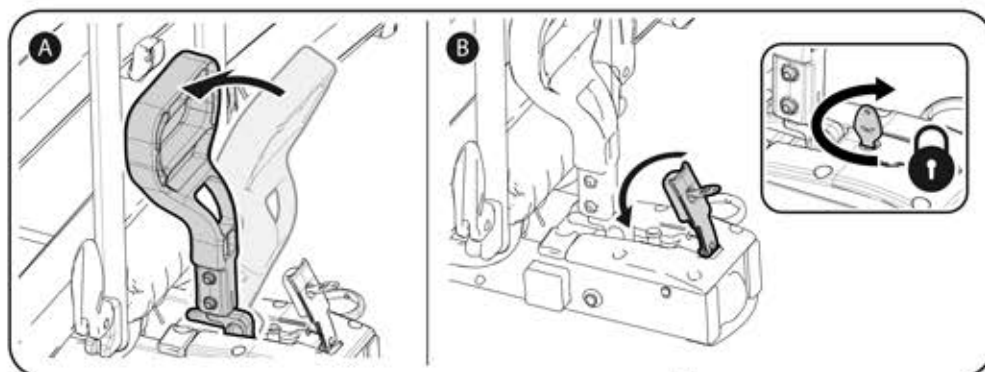
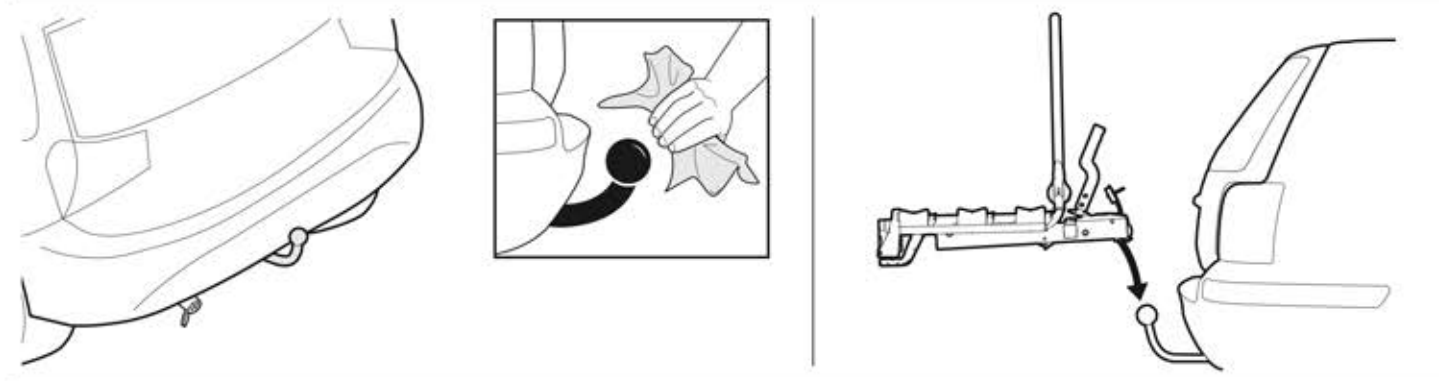
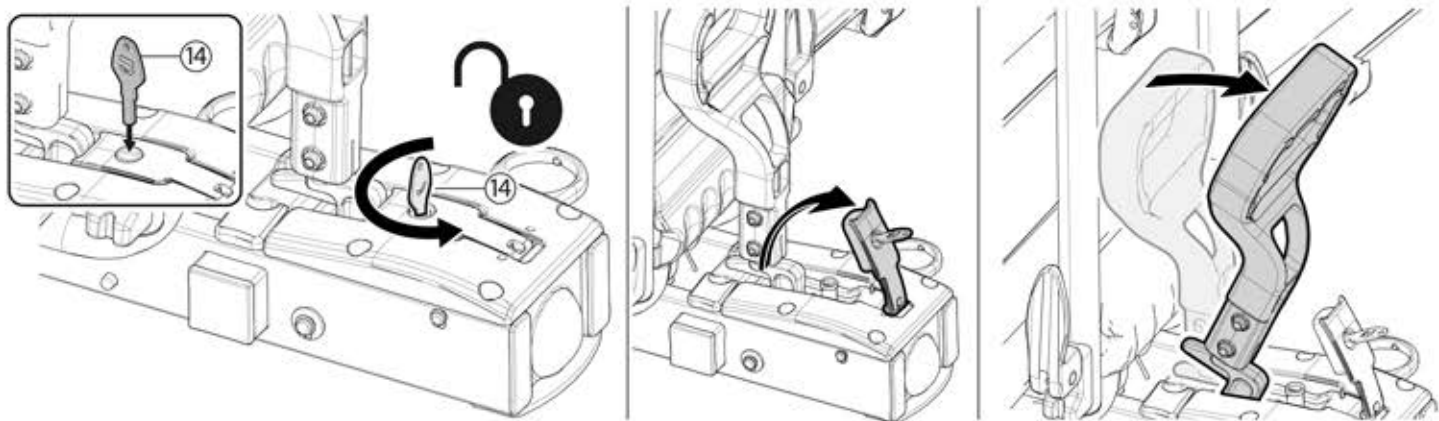
④—ALCOR 2-/ALCOR 3/ALCOR 4/ACRUX 2/ACRUX 3/ACRUX 4

| N | | Q |
|---|---|---|
| 4 |  | 1 |
| 5 |  | 1 |

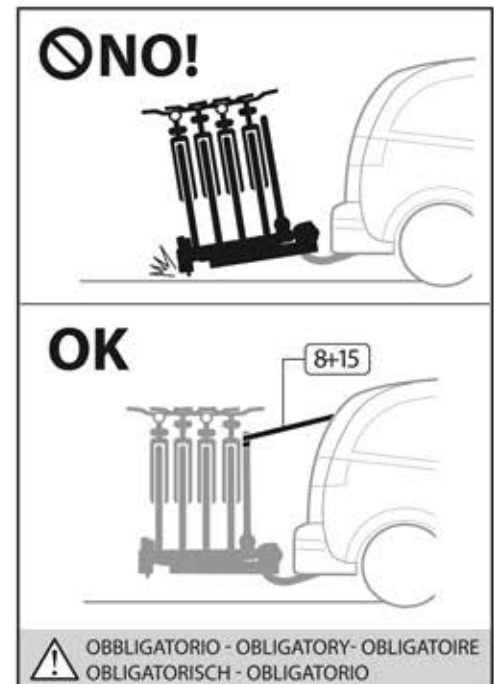
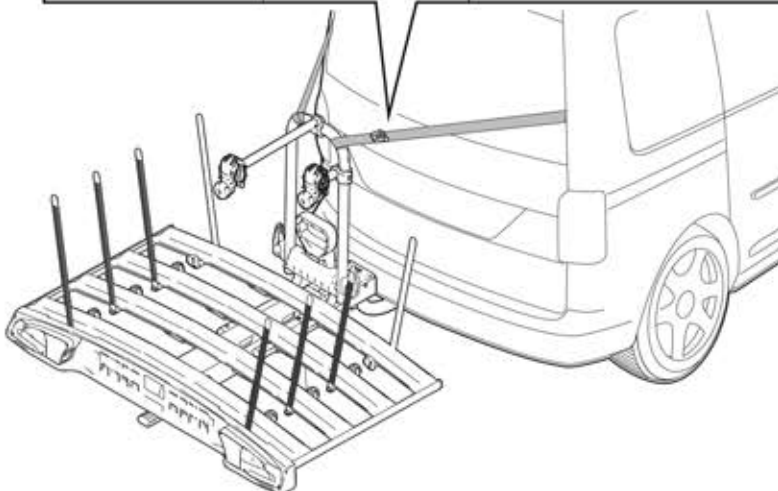
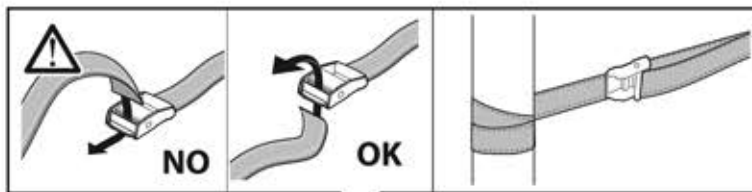
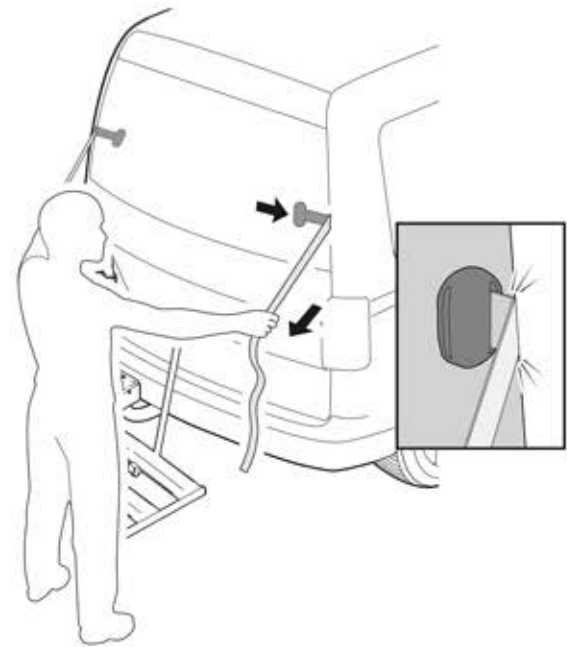
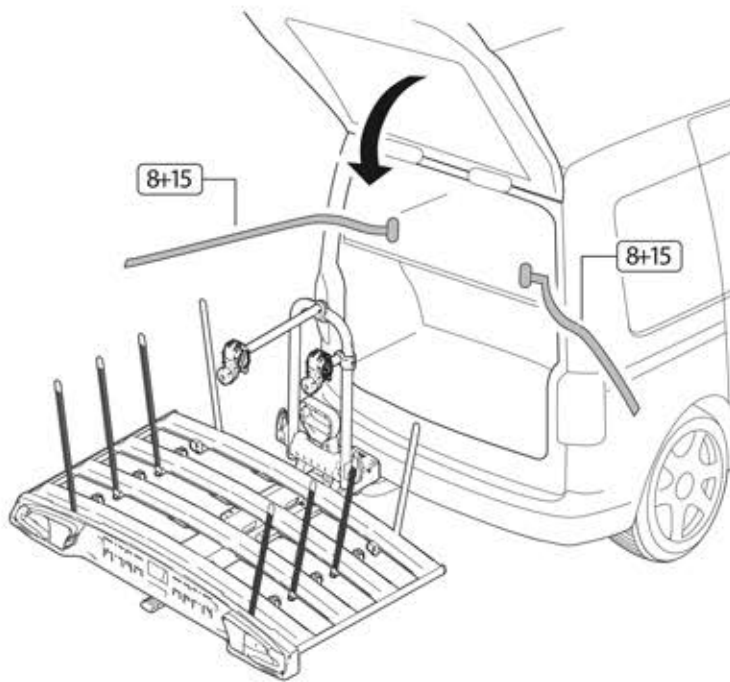
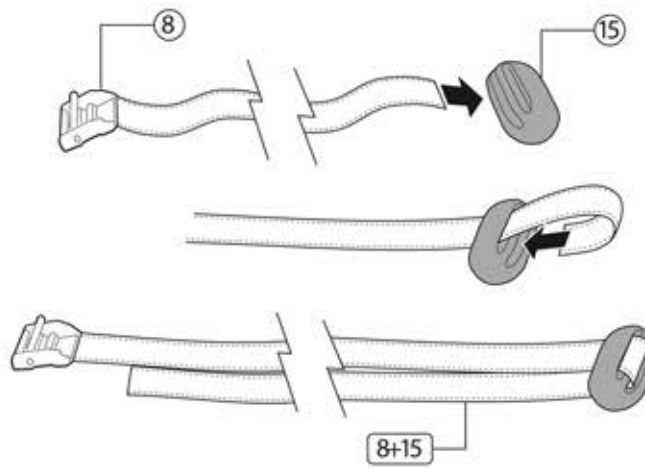


⑤—ALCOR 2-/ALCOR 3/ALCOR 4/ACRUX 2/ACRUX 3/ACRUX 4

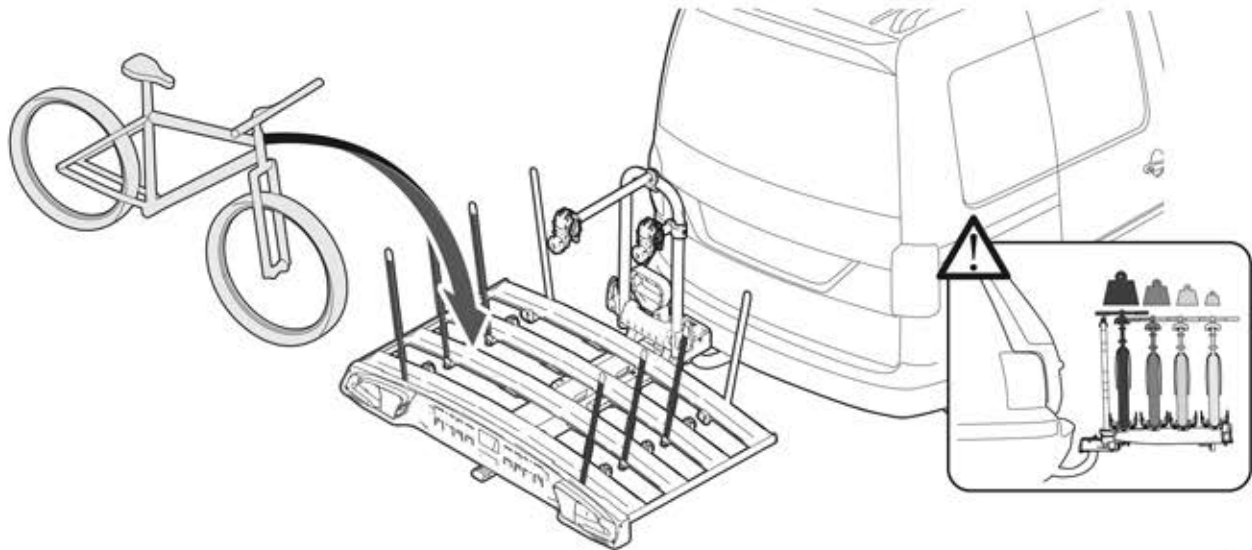




| N. | Q. |
|----|----|
| 8 | 2 |
| 15 | 2 |



⑧—ALCOR 2 / ALCOR 3 / ALCOR 4 / ACRUX 2 / ACRUX 3 / ACRUX 4



MIN Ø30 mm / 1.2"
MAX Ø50 mm / 2"
MIN 30x60 mm / 1.2"x2.4"
MAX 50x70 mm / 2"x2.7"



MIN 22"
MAX 29"

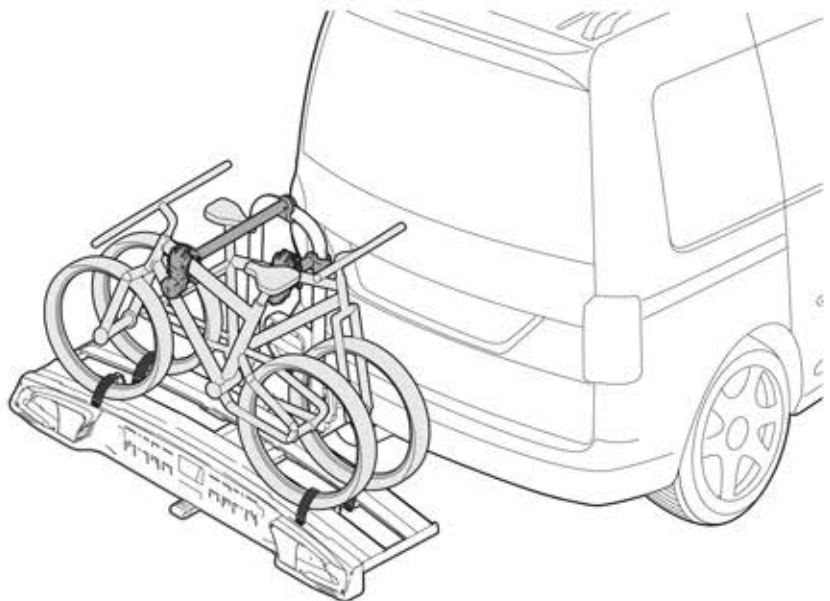
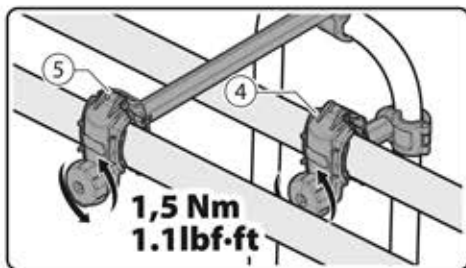


MAX 110mm / 4.3"

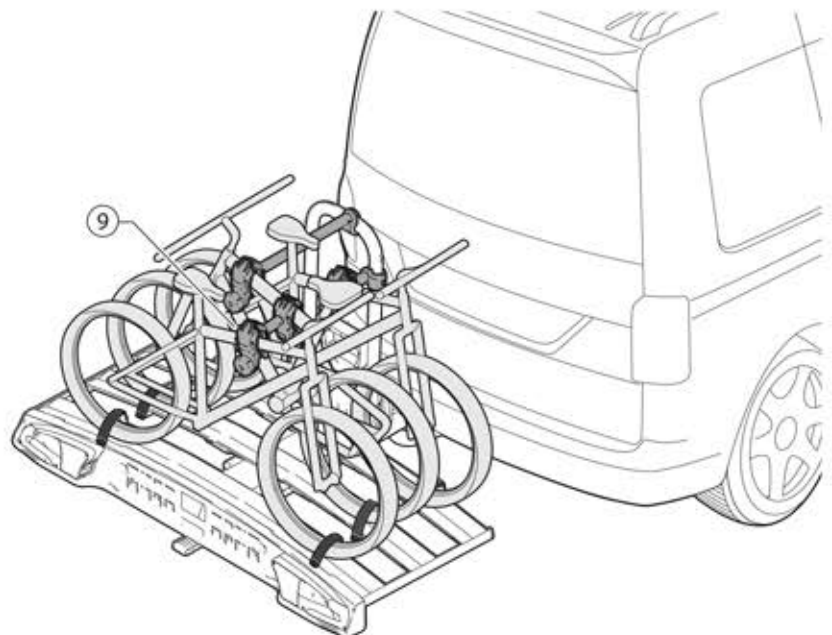
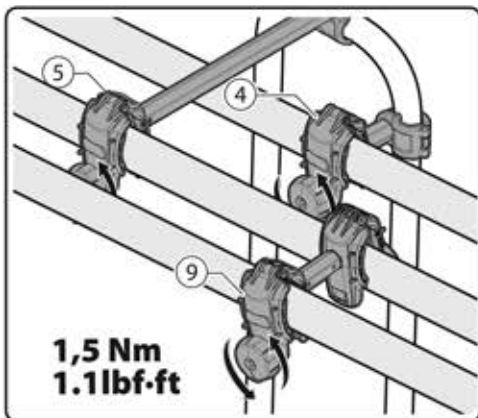


MAX 1260mm / 49.6"

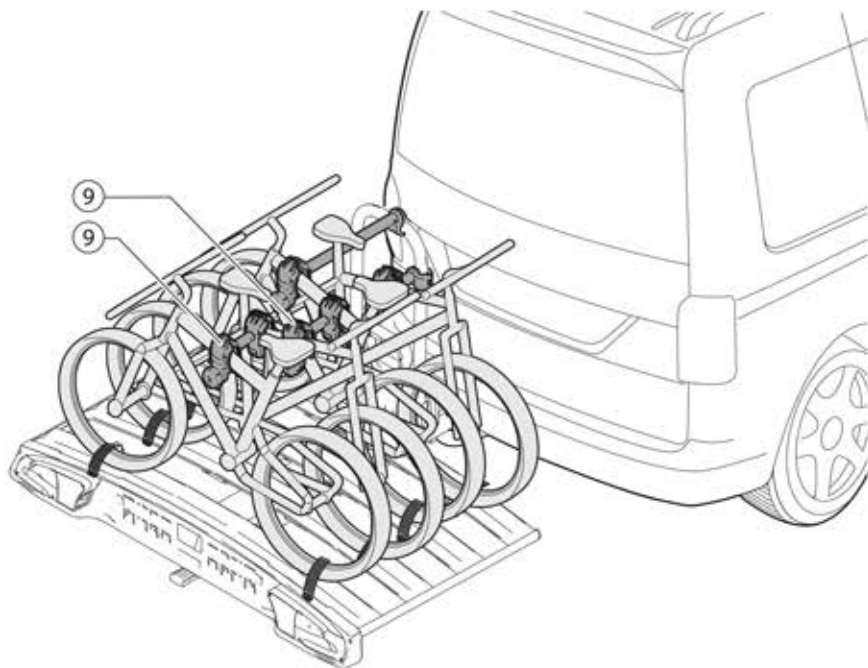
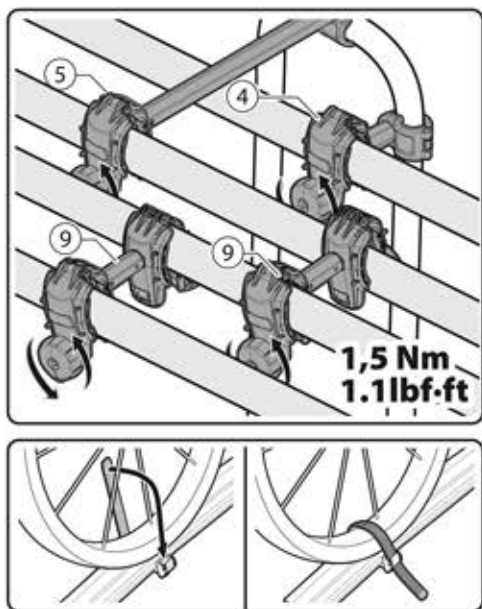
9a—ALCOR 2 / ACRUX 2




9b—ALCOR 3 / ACRUX 3

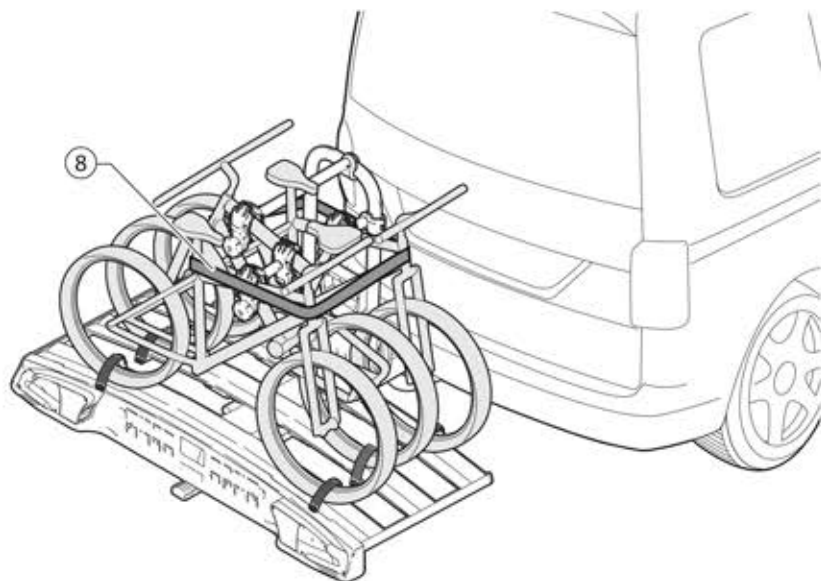


9c — ALCOR 4 / ACRUX 4

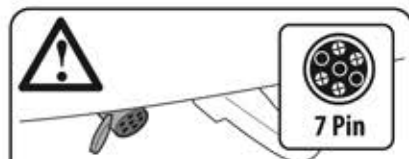


10 — ALCOR 2 / ALCOR 3 / ALCOR 4 / ACRUX 2 / ACRUX 3 / ACRUX 4

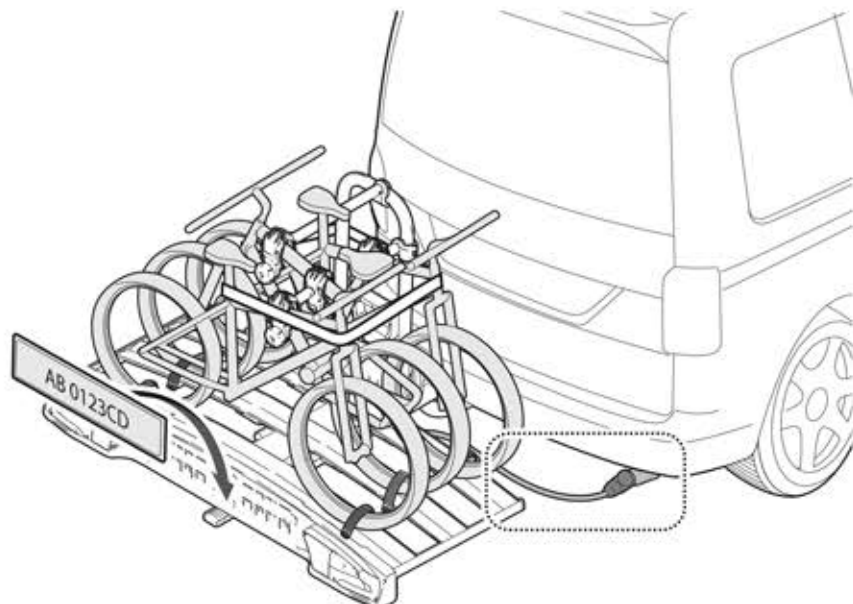
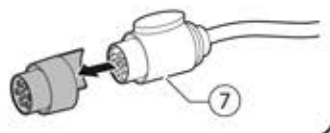
| N | | Q |
|---|---|---|
| 8 |  2,5 m - 8ft | 1 |



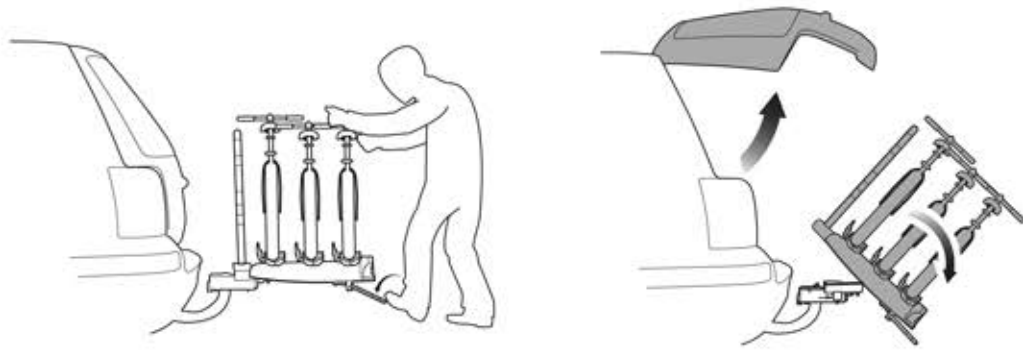
11 — ALCOR 2 / ALCOR 3 / ALCOR 4 / ACRUX 2 / ACRUX 3 / ACRUX 4



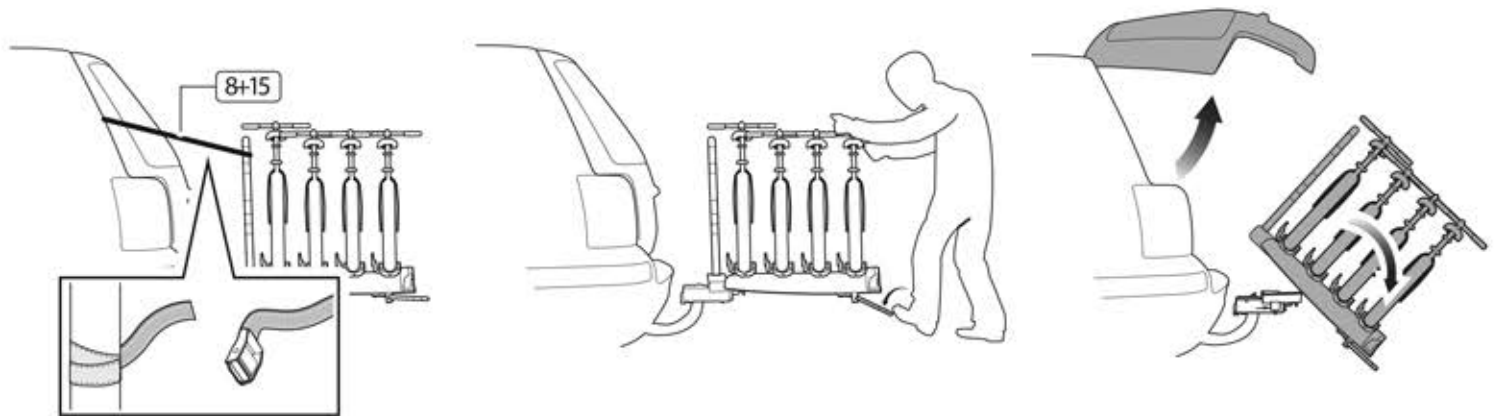
OPTIONAL cod.700016400000



⑪—ALCOR 2 / ALCOR 3 / ACRUX 2 / ACRUX 3



⑪—ALCOR 4 / ACRUX 4




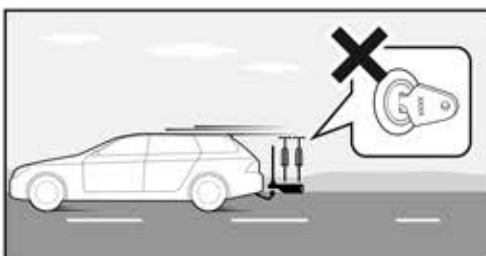
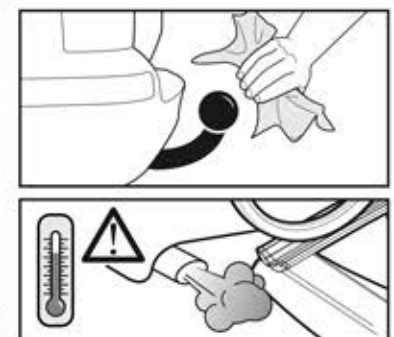
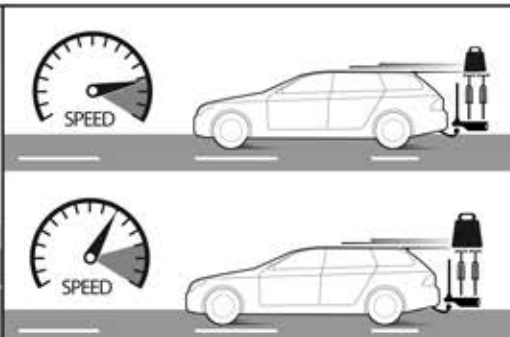
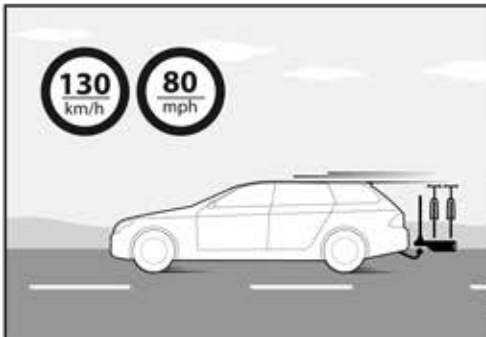
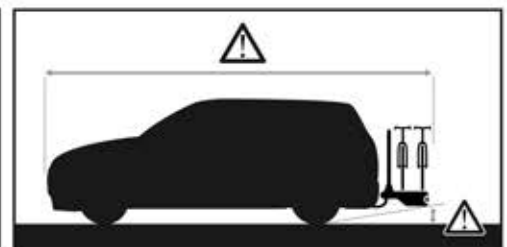
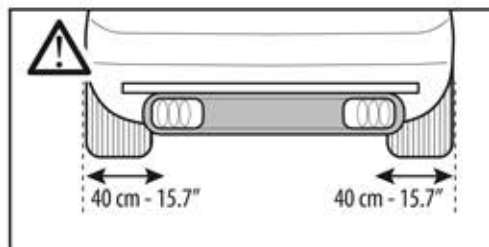
| | | | | |
|--|-----------------------|--------------------------------|----------------|-------------------|
| MAX 94/20/CE STANDARD | Alcor 2 / Acrux 2 | Standard/E-bike x2 Fat bike | Car Manual | |
| | | MAX 30kg - 66lb | | |
| | | 50 kg - 110.2lb | | 34,1 kg - 75.2lb |
| | | 60 kg - 132.3lb | | 44,1 kg - 97.2lb |
| | | 70 kg - 154.3lb | | 54,1 kg - 119.2lb |
| 80 kg - 176.4lb | 60 kg - 132.3lb | | | |
| >80 kg - 176.4lb | 60 kg - 132.3lb | | | |

| | | | | | |
|--|-----------------------|-----------------|-----------------------|----------------|------------------|
| MAX 94/20/CE STANDARD | Alcor 3 / Acrux 3 | Standard x3 | E-bike x2 Fat bike | Car Manual | |
| | | | OR | | |
| | | MAX 20kg - 44lb | | | MAX 30kg - 66lb |
| | | 50 kg - 110.2lb | | | 30,6 kg - 67.4lb |
| | | 60 kg - 132.3lb | | | 40,6 kg - 89.6lb |
| 70 kg - 154.3lb | 19,4 kg - 42.7lb | | 50,6 kg - 111.5lb | | |
| 80 kg - 176.4lb | | | 60 kg - 132.2lb | | |
| >80 kg - 176.4lb | | | 60 kg - 132.2lb | | |

| | | | | | |
|--|-----------------------|-----------------|-----------------------|----------------|-----------------|
| MAX 94/20/CE STANDARD | Alcor 4 / Acrux 4 | Standard x4 | E-bike x2 Fat bike | Car Manual | |
| | | | OR | | |
| | | MAX 15kg - 33lb | | | MAX 30kg - 66lb |
| | | 50 kg - 110.2lb | | | 27 kg - 59.5lb |
| | | 60 kg - 132.3lb | | | 37 kg - 81.5lb |
| 70 kg - 154.3lb | 23 kg - 50.7lb | | 47 kg - 103.6lb | | |
| 80 kg - 176.4lb | | | 57 kg - 125.6lb | | |
| >80 kg - 176.4lb | | | 60 kg - 132.2lb | | |

OPTIONAL

| | | | |
|--|---|--|--|
|  <p>BRACCETTO DOPPIO</p> <p>Art.000104100000</p> |  <p>BRACCETTO CORTO</p> <p>Art.000103900000</p> |  <p>BRACCETTO LUNGO</p> <p>Art.000104000000</p> |  <p>ADATTATORE 7 PIN</p> <p>Art.700016400000</p> |
|  <p>EVIDENCE MIRROR</p> <p>Art.000083100000</p> |  <p>RAMPA</p> <p>Art.000082100000</p> |  <p>POMELLO ANTIFURTO</p> <p>Art.000026400000</p> | |



F.lli Menabò S.r.l.
 Via 8 Marzo, 3
 42025 Cavriago (RE) Italy
 cutomercare@flli-menabo.it
 www.menabocaraccessories.com

Product registration

(IT) eu.menabocaraccessories.com/ita/product-support-ita
 (EN) eu.menabocaraccessories.com/eng/product-support-eng
 (DE) eu.menabocaraccessories.com/deu/product-support-deu
 (FR) eu.menabocaraccessories.com/fra/product-support-fra
 (ES) eu.menabocaraccessories.com/esp/product-support-esp

| Cod.istr. | Data |
|--------------|------------|
| 500031400001 | 19/10/2021 |

www.menabocaraccessories.com

Name

Surname

Email

Telephone

Serial number

Product name